

SOREX MultiAccess 5.0

Door unlocking/opening with mobile phones, automatic hand-held transmitters & RFID media

SOREX MultiAccess 5.0 is ideal for easy electronic access management to corporate buildings, offices and storage areas and allows time-dependent access for up to 500 users. Doors can either be operated via code, a mobile phone, an automatic hand-held transmitter or RFID media. Access management is conveniently supervised via network-compatible management software. The SOREX MultiAccess 5.0 controls a SOREX MultiAccess securely fitted into the interior wall and is surface-mounted next to the door. Additionally, a number of useful features can be used with the compatible management software, like logging the door openings, creating reports, anti-passback and many more.



Article-No	Product Name	Short Description
WK501001	SOREX MultiAccess 5.0 incl. LAN- & RFID-Interface	Electronic access control system; especially for the business sector; allows access via Code, mobile phones, automatic hand-held transmitters, or RFID media; network compatible; access administration via management software

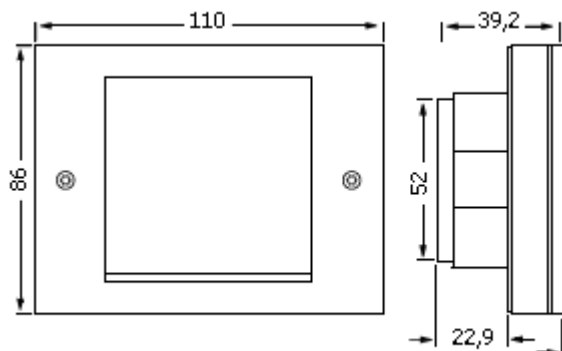
Additional Features:

Feature	Short Description
Anti-Passback	Prevents multiple people from entering with the same opening medium; after entering, a user must leave again before he can open the door again.
Two-man Rule	Prevents a single person from entering, two persons are required for opening then.
Access Evaluation	Allows to create reports to evaluate the access protocol.
Online Management	Allows to supervise the locking system in the web interface, which makes it possible to track users' positions or to find out which doors are currently opened etc.
Malfunction notification	Allows to be notified over e-mail in case of malfunction.
Visitor management	Allows to create temporary opening permissions for visitors.
Combination with security systems	Allows to work with security systems (e.g. activating the system)
Alarm forwarding	Allows to be notified over e-mail or SMS in case of alarm.



Technical Details

- Number of manageable opening media: Up to 2 000 codes, smartphones, automatic hand-held transmitters, RFID cards, RFID keychains (MIFARE Classic and MIFARE DESFire EV1)
- Supported phones: Bluetooth Low Energy-capable smartphone with Android 4.3 or iOS 5 (or newer)
- System requirements for web interface: Current web browser (Internet Explorer, Edge, Safari, Firefox, Chrome, ...)
- Detection range: Adjustable from 10 cm to ca. 12m
- Relay switching duration: Adjustable (3 seconds by default)
- Interfaces: LAN
- Supply voltage: 9-12 V AC or 9-24 V DC, optional PoE
- Operating temperature: -20°C to +60°C
- Dimensions: 111 x 87 x 17 mm
- Colors: White, stainless steel

Dimensions



Additional Products

Article-No.	Product Name	Short Description	
WK501002	SOREX MultiAccess RoomController	Control device for opening up to 2 electronic locks; is controlled by the MultiAccess 5.0.	
multiple Packages	SOREX management software	Is used to manage one or multiple MultiAccess 5.0.	
WK402051 ZB204010 ZB205012	Manual hand-held transmitter RFID-card RFID-keychain	Miscellaneous kinds of opening media, can open the MultiAccess 5.0 if configured with the software.	